



Công ty Cổ phần Cơ khí Sông Thu
Đường số 8 – Khu Công nghiệp Hòa Cầm – TP.Đà Nẵng
Tel: 0236.3676419 – 0236.3676420 – 0236.3676421.
Fax: 0236.3676418.

MANUAL OF SONG THU WORKTAINER TROLLEY CART

Worktainer trolley cart are used in a lot of places, especially in supermarket, station, airport, ports, factory, warehouse thanks to tidy design, convenience, easy in assembly and movement with a flexible casters, heavy load ability.

You should read the manual carefully before using trolley cart. When accident occur because of wrong use, we will not take any responsibility.

warning:

1. operating the trolley cart by holding $\Phi 25.4$ pine, not on verizontal bar
2. Lifting plastic base slowly in oder to avoid hitting at your foot.
3. Locking plastic lock carefully in oder to avoid hurting your finger.
4. When operate the right panel, do not hold the stay bar attaching part to avoid hurting your finger.
5. operate the trolley cart by pushing it ahead, do not pull it especially when it is loaded to about hitting at your body and foot.

Note:

1. Do not operate overload.
2. Do not use with bulky goods.
3. Do not use with agent of erosion
4. Customer should be recommended using the products in an even and flat terrain

I. Guideline of operation:



Công ty Cổ phần Cơ khí Sông Thu
Đường số 8 – Khu Công nghiệp Hòa Cầm – TP.Đà Nẵng
Tel: 0236.3676419 – 0236.3676420 – 0236.3676421.
Fax: 0236.3676418.

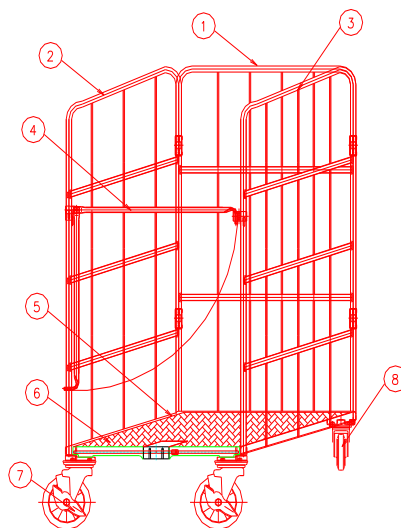


1. Worktainer trolley cart



2. Worktainer trolley cart with 3 steel shelves

3. Worktainer trolley cart with parts





Công ty Cổ phần Cơ khí Sông Thu
Đường số 8 – Khu Công nghiệp Hòa Cầm – TP.Đà Nẵng
Tel: 0236.3676419 – 0236.3676420 – 0236.3676421.
Fax: 0236.3676418.

4. Part 1: Back panel
5. Part 2: Left panel
6. Part 3: Right panel
7. Part 4: Stay bar
8. Part 5: Bulong M12
9. Part 6: Plastic base
10. Part 7: Caster with lock
11. Part 2: Caster

4. Term of selling:

a/ If the purchase order is a few and the delivery place is near :



Tighten bolt M12 (5) and arrange the trolley like pictures above



Công ty Cổ phần Cơ khí Sông Thu
Đường số 8 – Khu Công nghiệp Hòa Cầm – TP.Đà Nẵng
Tel: 0236.3676419 – 0236.3676420 – 0236.3676421.
Fax: 0236.3676418.

b/ If the purchase order is huge and the delivery place is far :



Bending 2 panel, packed in wooden pallet, tightened with rope and covered by PE membrane

***Note:**

- After delivery, customer should not change design of trolley cart, the cart have to be remained design.
- In order to avoid rust, customer should not leave the trolley cart outside. Customer should put on warehouse or in place that have roof.
- Do not use trolley cart in cold storage, low temperature can cause damage on plastic base.

4. Operation:

Step 1: Open the left panel (2) till it is perpendicular with back panel(1), tighten the bolt M12 (5) into nut M12 under the angle bar.



Công ty Cổ phần Cơ khí Sông Thu
Đường số 8 – Khu Công nghiệp Hòa Cầm – TP.Đà Nẵng
Tel: 0236.3676419 – 0236.3676420 – 0236.3676421.
Fax: 0236.3676418.



Step 2: Open right panel (3) till it is perpendicular with the back panel (1)



There are 2 plastic base hooks above 2 front caster,



Step 3: Low Plastic base (6) till 2 holes of plastic base at the right position with 2 plastic base hook, use hand press the plastic lock which is red or blue in color, untill



Công ty Cổ phần Cơ khí Sông Thu
Đường số 8 – Khu Công nghiệp Hòa Cầm – TP.Đà Nẵng
Tel: 0236.3676419 – 0236.3676420 – 0236.3676421.
Fax: 0236.3676418.

you hear the sound “crack”. Meantime, the lock bar khóa Φ 10 will in place where It lock the plastic base with 2 panel.



Step 4: Pin the orange stay bar (4) on stay bar pinning part (3).



Step 5: It depends the customer demands, there are some shelves suitable





Công ty Cổ phần Cơ khí Sông Thu
Đường số 8 – Khu Công nghiệp Hòa Cầm – TP.Đà Nẵng
Tel: 0236.3676419 – 0236.3676420 – 0236.3676421.
Fax: 0236.3676418.



Last, you can move trolley cart to 4 directions easily. When you want the trolley cart stand by, lock your castor by locking grip of caster (6).



Step 6: when do not use, you can tidy the trolley cart as follow steps:

- Un-pin stay bar (release stay bar hook from stay bar pinning part)
- Lift the plastic base till it touch the back panel
- Bend the right panel till it touch the plastic base
- You can arrange trolley carts in line when store.



Công ty Cổ phần Cơ khí Sông Thu
Đường số 8 – Khu Công nghiệp Hòa Cầm – TP.Đà Nẵng
Tel: 0236.3676419 – 0236.3676420 – 0236.3676421.
Fax: 0236.3676418.



II/ Check the cart before using:

- Check if the bolt M12 is tightened



Bolt M12

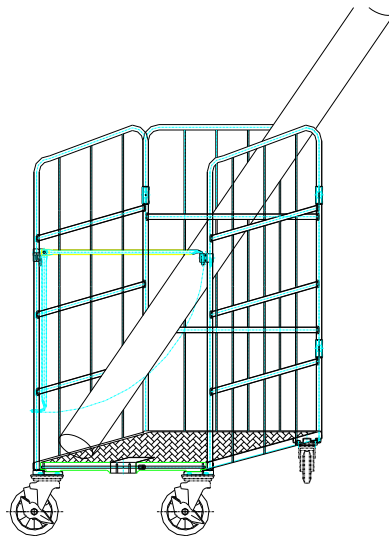
- Low plastic base, check if plastic lock move softly
- Check If the stay bar hook is in the right position with stay bar pinning part
- Check If the caster move smooth
- Check the caster lock grip



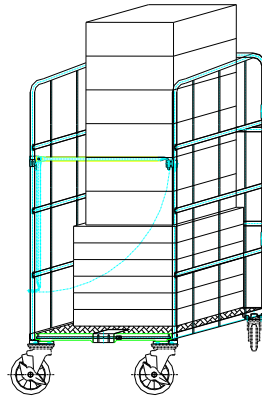
III/ Load :

- Lock the trolley cart by caster lock.
- Make sure the load is under 500 Kg.
- Make sure the load of each shelf is under 50 Kg.
- All the Load is inside the trolley cart, Load's center of gravity is same with trolley cart.
- Do not use with agent of erosion
- If it is fragile load, make sure it is fastened in inside of trolley cart
- Load is put from large to small

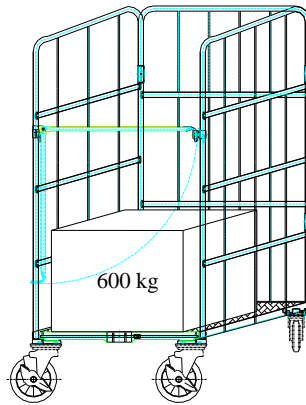
* Some mistakes when load



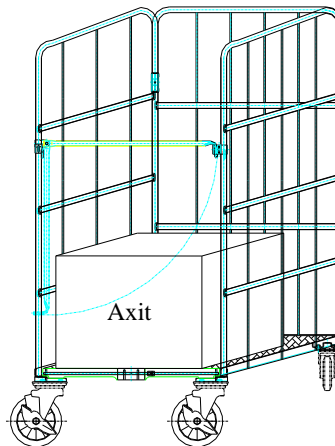
Bulky goods, Load's center of gravity is different with cart's



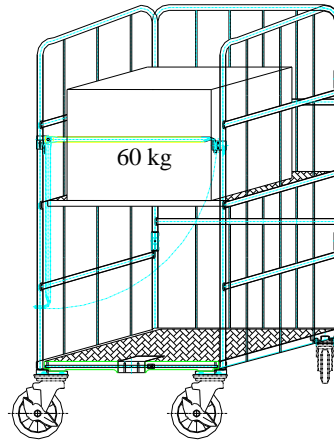
- Over high load



overload



Erosion load

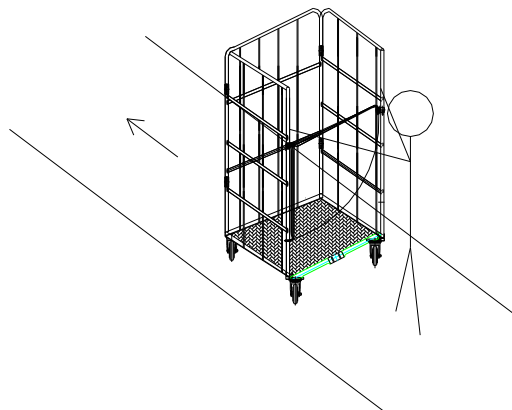


Overload in shelf

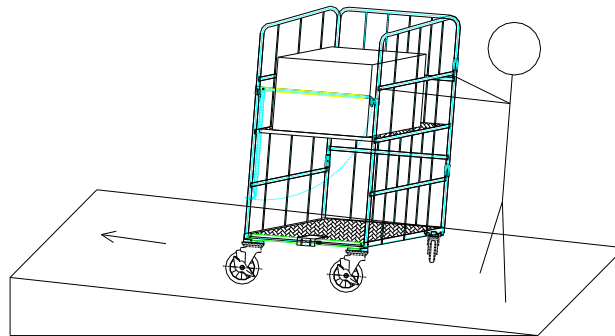
IV. How to move the trolley cart:

- Do not step inside trolley cart when It is
- When move in a gradient, depend on the weight of load, we choose the right angle of gradient
- Do not move cart go over an object, If you need so, you have someone to help.

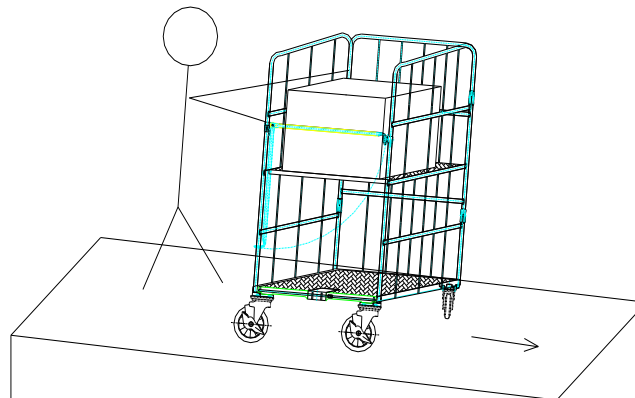
1. Move in an even and flat surface:



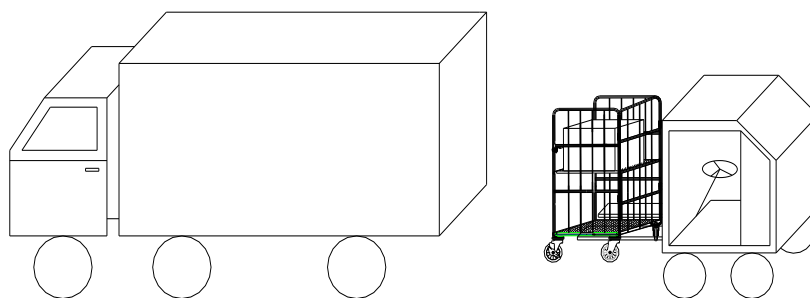
2. Move in a rising gradient:



3. Move down an gradient:



4. Transport trolley cart by truck:



* Transport trolley cart by forklift

- Check If the caster in lock state.



Công ty Cổ phần Cơ khí Sông Thu
Đường số 8 – Khu Công nghiệp Hòa Cầm – TP.Đà Nẵng
Tel: 0236.3676419 – 0236.3676420 – 0236.3676421.
Fax: 0236.3676418.

- Check If the stay bar is hooked
- Lifting trolley in a even and flat surface Khi nâng phải ở trên nền phẳng.
- Lift the trolley cart from the back, do not lift in deflective state
- After moved in a truck, posite trolleys cart in line, use ripe to tighten and make sure the caster is in lock condition.

* Note about caster:

1. Check the caster regularly, If there are some problems or worn, you should replace
2. Do not use force, because It can cause the damage of trolley cart or caster
3. The maxximum speed is 4Km/h, Do not force to move with any vehicle

PHÒNG KỸ THUẬT – KCS

GIÁM ĐỐC